

BT-GP SERIES

General Purpose High Voltage Bench-top Power System

PRELIMINARY DATASHEET

The compact, high-voltage BT-GP Series of general purpose bench-top high voltage power systems offers adjustable output voltage, digital voltage reading, highly stable output, and low ripple. BT-GP Series units are available in AC Input or DC input, positive or negative polarity, and with the option of one or two output connectors.

Applications for BT-GP Series high-voltage power systems include electrostatic, air purification, ATE, test equipment, process fluid cleaning, hi pot testing, and laboratory research.



- Available from 0 to 10kV through 0 to 30kV
- Up to 30W of output power
- 3.5 digit red LED output voltage display
- Bench-top configuration
- Single positive or negative output

- Ruggedized aluminum or steel enclosure
- Enters constant current mode when fault occurs
- Highly portable with built in carrying handle (AC model)
- Protection against overload, short circuit, arc, and reverse polarity

PARAMETER	CONDITIONS	MODELS						UNITS
INPUT		AC INPUT			DC INPUT			
Voltage Range	Full Power	90-260 VAC			22-26 VDC			-
OUTPUT		AC INPUT			DC INPUT			
Voltage Range	Nominal Input	0 to 10,000	0 to 20,000	0 to 30,000	0 to 10,000	0 to 20,000	0 to 30,000	VDC
Power	Nominal Input, Max Eout	0 to 30			0 to 30			Watts
Current	Iout Entire Output Voltage Range	3.0	1.5	1.0	3.0	1.5	1.0	mA
Ripple	Full Load, Max Eout	<0.01			<0.3			%V p-p
Line Regulation	Max-Min Input, Max Eout, Full Load	N/A			<0.3%			VDC
Load Regulation	No Load to Full Load, Max Eout	<0.5%			<0.01%			VDC
Stability	30 Min. warmup, per 8 hr/ per day	<0.05%			<0.1%			VDC
PROGRAMMING & CONTROLS		ALL TYPES						
HV ON/OFF Controls		Front panel switch						-
ENVIRONMENTAL		AC INPUT			DC INPUT			
Coefficient	Over the Specified Temperature	100			200			PPM/°C
Storage Temperature	Non-Operating, Case Temp.	-20 to +60						°C
Operating Temperature	Full Load, Max Eout, Case Temp.	0 to +40						°C
Humidity	All Conditions, Standard Package	0 to 90% non-condensing						-

Specifications subject to change without notice.



Making High Voltage Easier!®

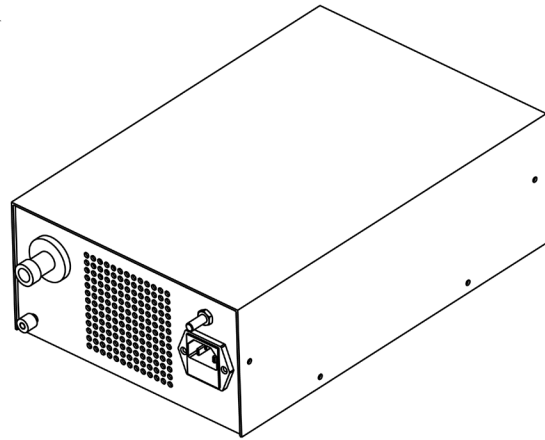
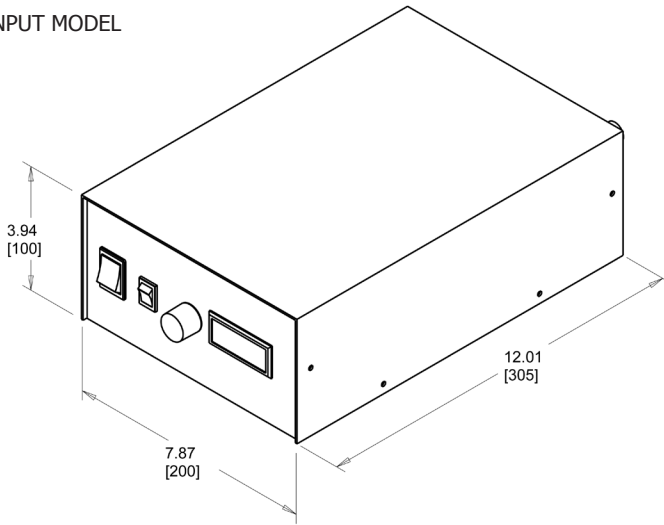
Higher Service, Higher Performance, Higher Reliability

©2011, UltraVolt Inc. All rights reserved.

BT-GP SERIES

General Purpose High Voltage Bench-top Power System

AC INPUT MODEL



CONSTRUCTION

Folded aluminum or steel enclosure with blue paint finish

SIZE

Dimensions:

AC Input: 12.01 L x 7.99 W x 4.33 H in (305.0 L x 203.0 W x 110.0 H mm)

DC Input: 11.81 L x 6.30 W x 3.94 H in (300.0 L x 160.0 W x 100.0 H mm)

Weight:

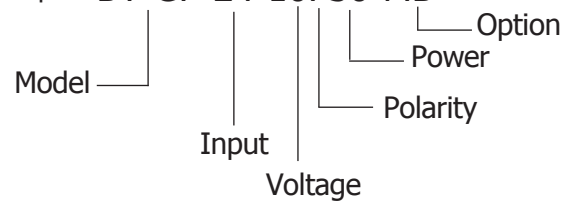
AC Input: 6.17lbs (2.8kg)

DC Input: 7.94lbs (3.6kg)

NOTES

For the outline drawing on the DC Input model, or for additional outputs or power levels, please contact the factory.

Example: **BT-GP-24-10P30-MB**



ORDERING INFORMATION		
Model	Series name	BT-GP
Input	90-264VAC input	-AC
	24VDC input	-24
Voltage	0 to 10kVDC output	-10
	0 to 20kVDC output	-20
	0 to 30kVDC output	-30
Polarity	Positive Output	P
	Negative Output	N
Power	Watts Output	30
Option	Mounting bars (AC model)	-MB
	Mounting bars (DC model)	(Standard)
	Remote HV ON/OFF (DC model)	-REM



*The BT-GP Series is not available in all territories. Please contact the factory for details concerning sales in your area.

Rev. 3 1/12



Making High Voltage Easier!®

1800 Ocean Avenue, Ronkonkoma, NY 11779
 Phone: 1-631-471-4444 Fax: 1-631-471-4696 www.ultravolt.com